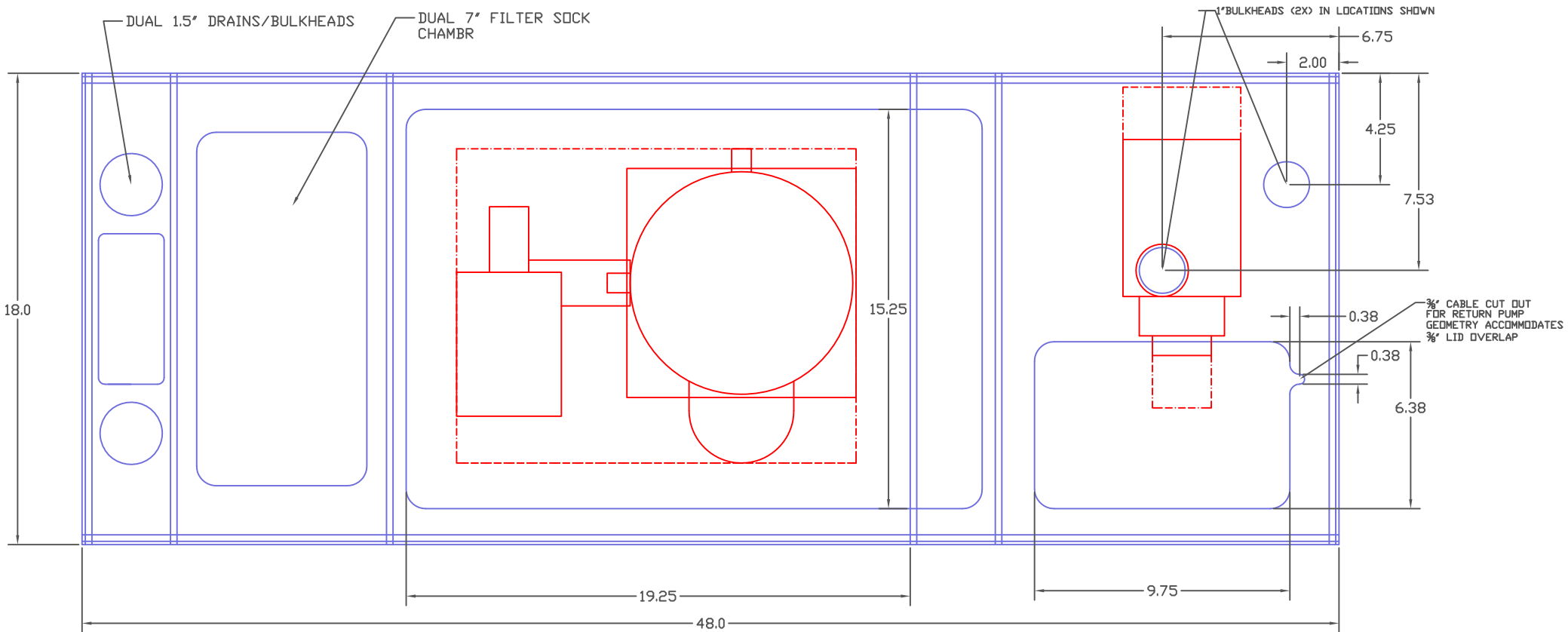


NOTES:

1. MATERIALS: CLEAR ACRYLIC WITH RED BAFFLES
2. TOP VIEW SHOWN. HEIGHT OF SUMP: 16"
3. COVERS TO BE PROVIDED FOR ALL (3 CHAMBERS). MAIN SKIMMER CHAMBER EXCLUDED.
4. DUAL 1.5" BULKHEAD AND DRAIN PIPES INCLUDED.
5. DUAL 7" FILTER SOCKS INCLUDED
6. DUAL 1" RETURN BULKHEADS INCLUDED
7. CUSTOMER SUPPLIED EQUIPMENT SHOWN IN RED FOR REF.



REVISION: 3-23-15 B  
C. WARREN